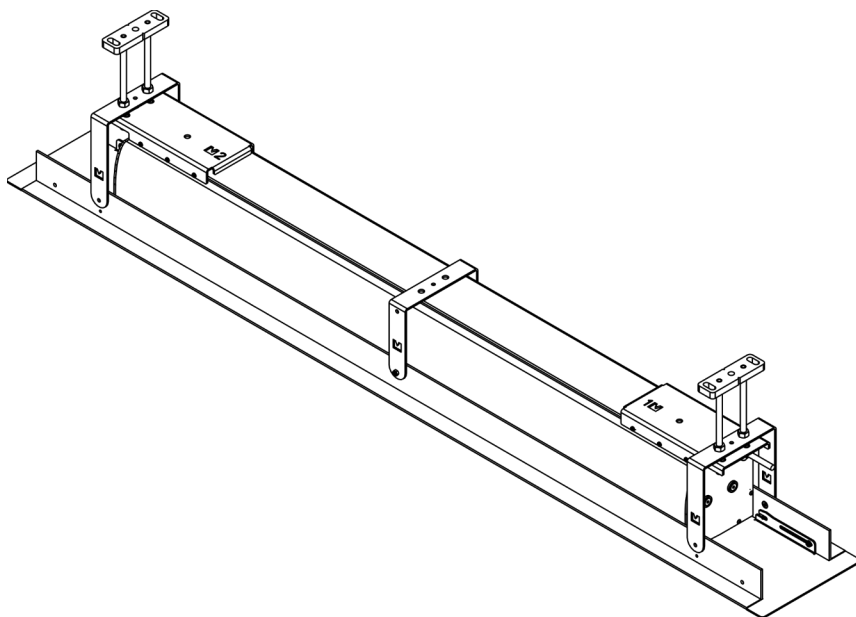


INSTRUCTION MANUAL

FALSE CEILING TRIM KIT (FCK)

MAJOR



ORIGINAL INSTRUCTIONS IN ITALIAN LANGUAGE
Translation into English language

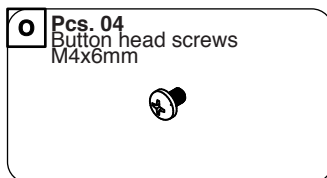
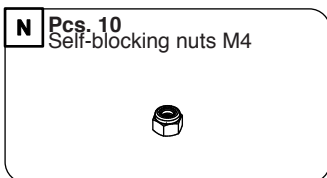
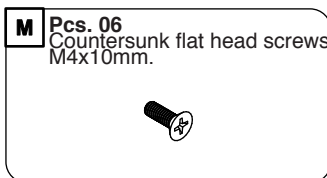
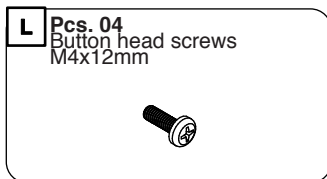
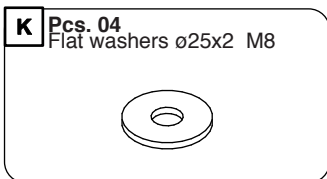
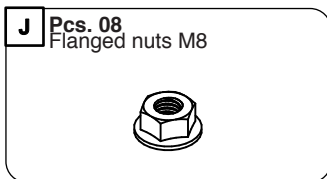
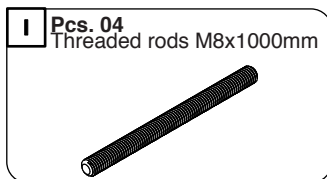
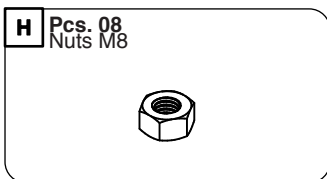
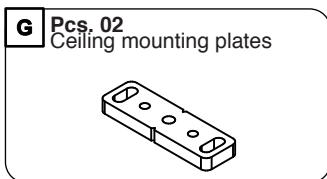
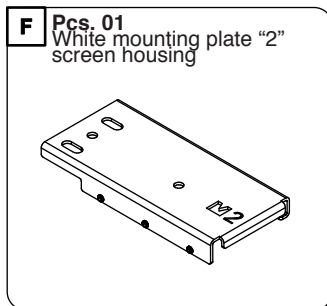
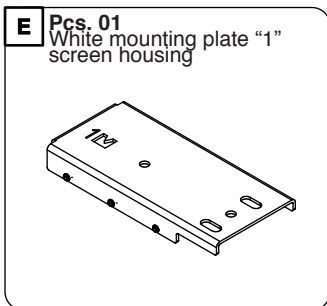
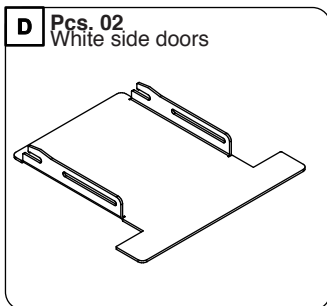
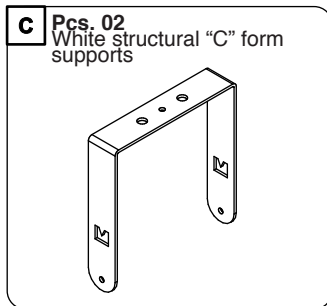
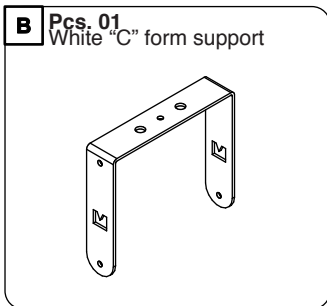
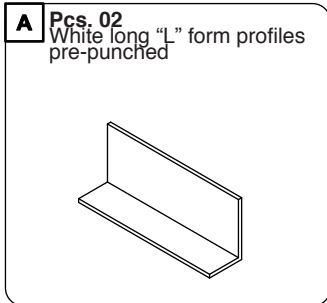
INDEX

COMPONENTS INSIDE THE PACKAGING - FCK MAJOR	page.	4
DIMENSIONS - FCK MAJOR	page.	5
ASSEMBLING - FCK MAJOR	page.	6
MOUNTING TO THE CEILING - FCK MAJOR	page.	7
MOUNTING THE SCREEN ONTO THE FCK	page.	9

COMPONENTS INSIDE THE PACKAGING

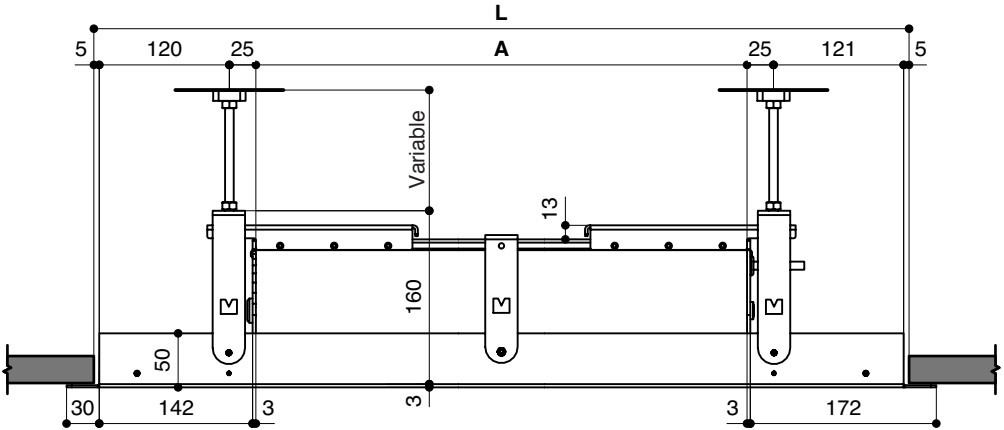
FCK MAJOR

When you open the packaging, please CHECK that it contains ALL the components below.
In case one or more components are missing, please refer to the dealer you purchased the product from.

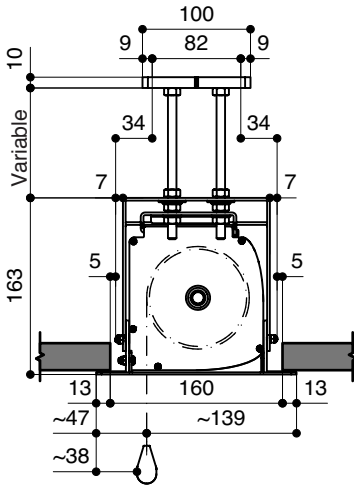


DIMENSIONS - FCK MAJOR

FRONT VIEW FCK MAJOR



SIDE VIEW FCK MAJOR



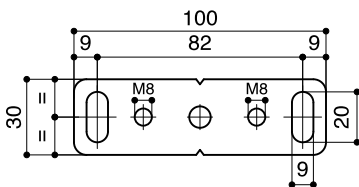
FIXING POINTS DIMENSIONS OF CEILING MOUNTING PLATE

	A (mm)	B (mm)
MAJOR PROFESSIONAL <i>(Without borders)</i>	Width of Viewing Area + 130	82
MAJOR HOME CINEMA <i>(With side borders of 50 mm)</i>	Width of Viewing Area + 230	82
MAJOR TENSIONED	Width of Viewing Area + 422	82

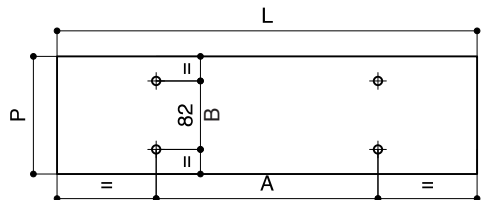
DIMENSIONS HOLE IN FALSE CEILING

	L (mm)	P (mm)
MAJOR PROFESSIONAL <i>(Without borders)</i>	Width of Viewing Area + 380	160
MAJOR HOME CINEMA <i>(With side borders of 50 mm)</i>	Width of Viewing Area + 480	160
MAJOR TENSIONED	Width of Viewing Area + 672	160

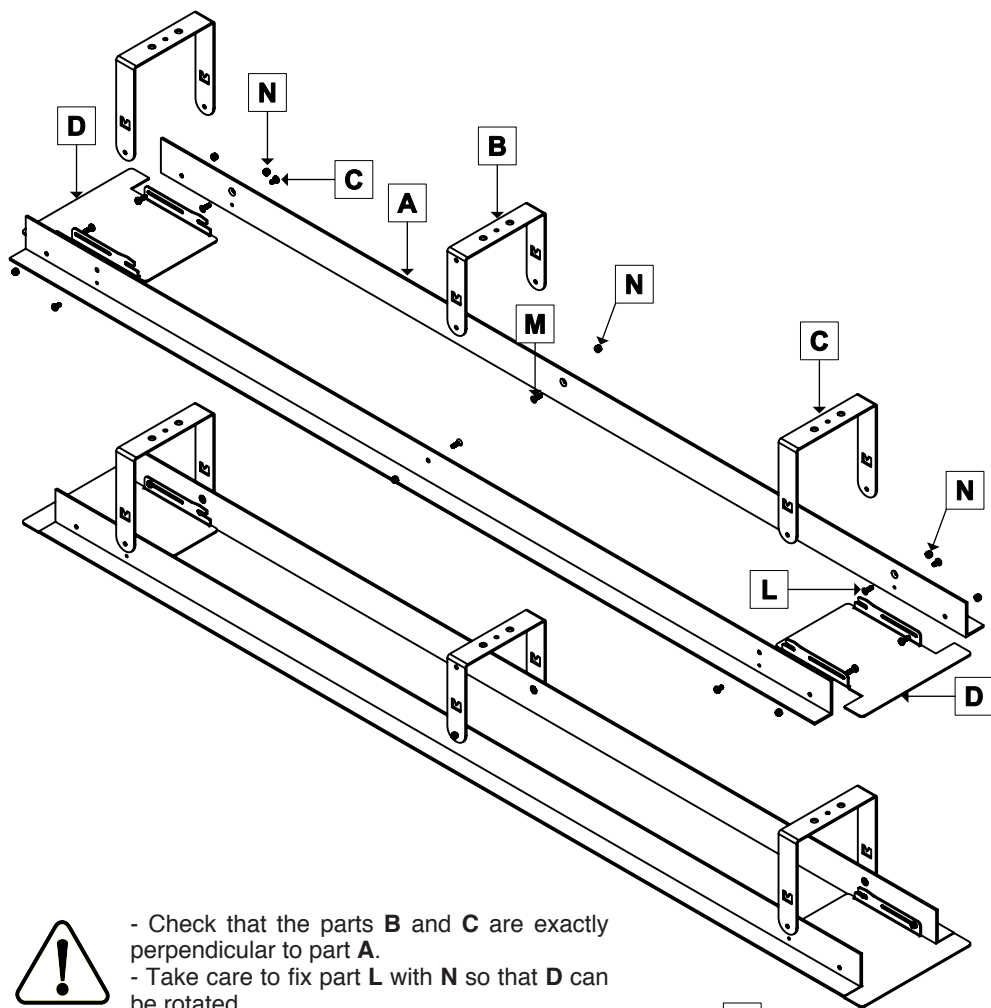
TOP VIEW CEILING MOUNTING PLATE



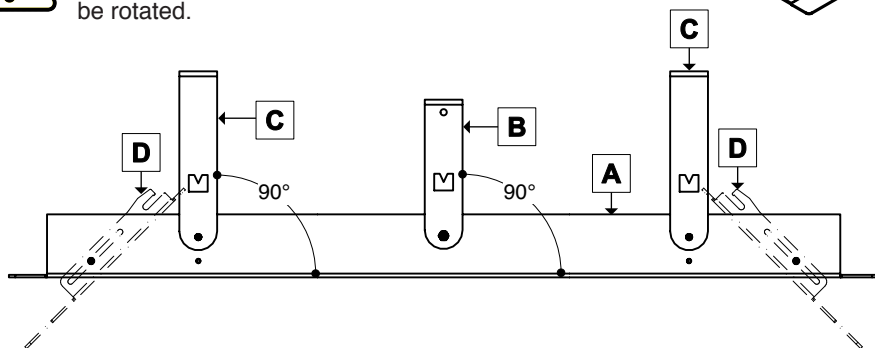
HOLE IN FALSE CEILING AND FIXING POINTS CEILING



ASSEMBLING - FCK MAJOR



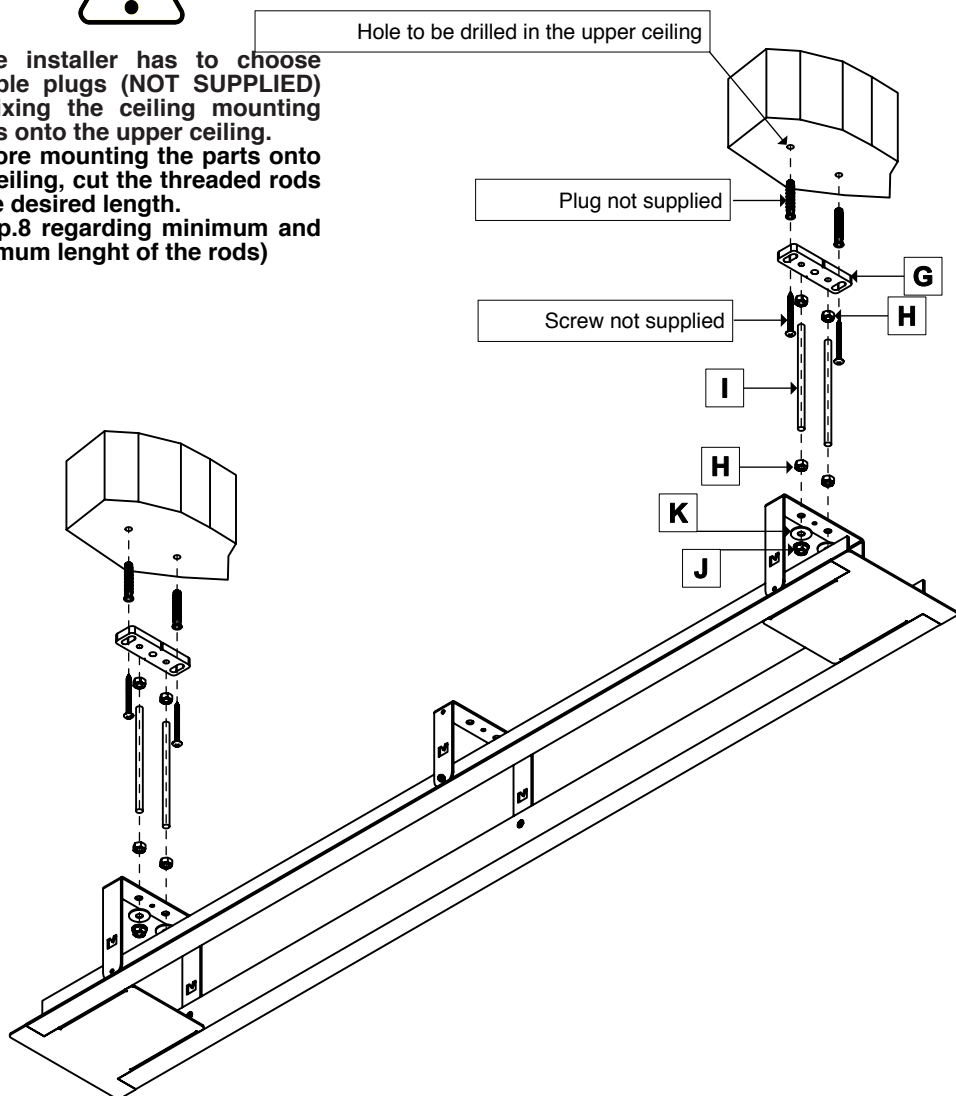
- Check that the parts **B** and **C** are exactly perpendicular to part **A**.
- Take care to fix part **L** with **N** so that **D** can be rotated.



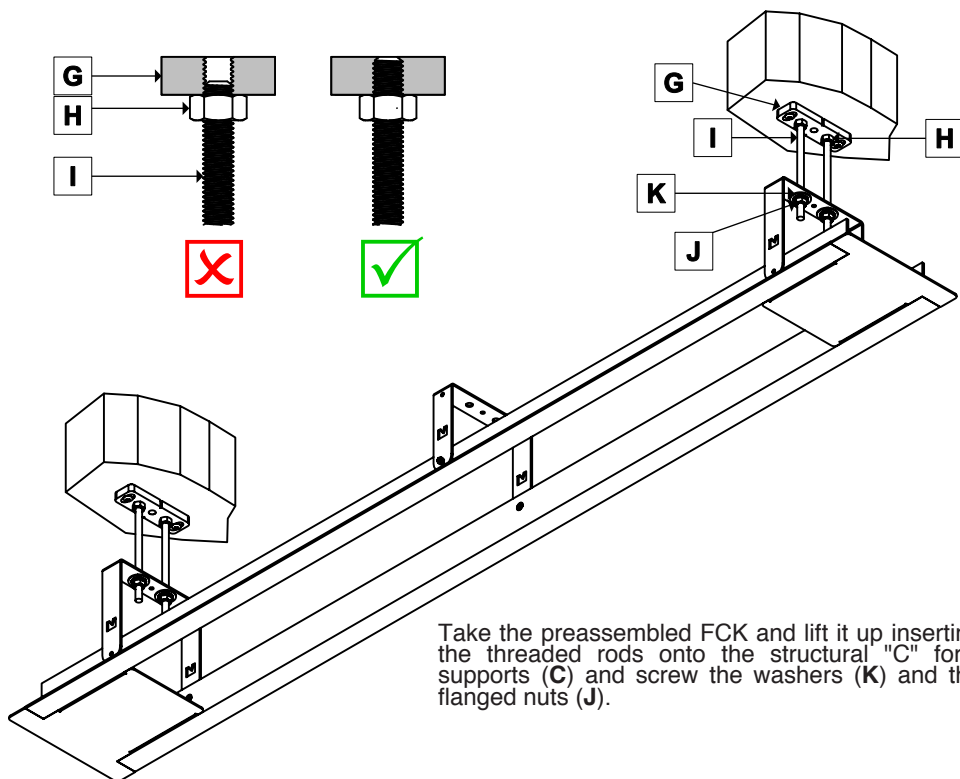
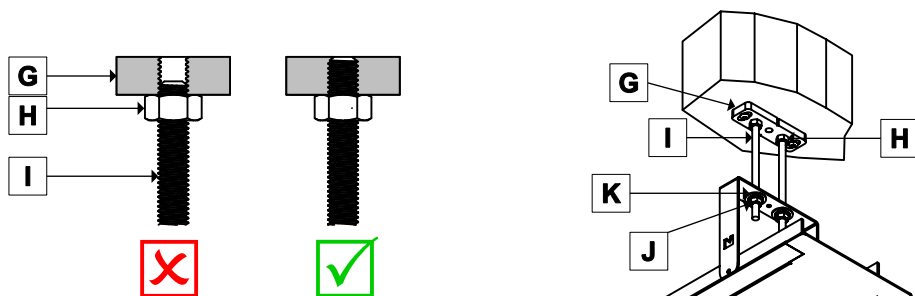
MOUNTING TO THE CEILING - FCK MAJOR



- The installer has to choose suitable plugs (NOT SUPPLIED) for fixing the ceiling mounting plates onto the upper ceiling.
- Before mounting the parts onto the ceiling, cut the threaded rods to the desired length. (see p.8 regarding minimum and maximum length of the rods)



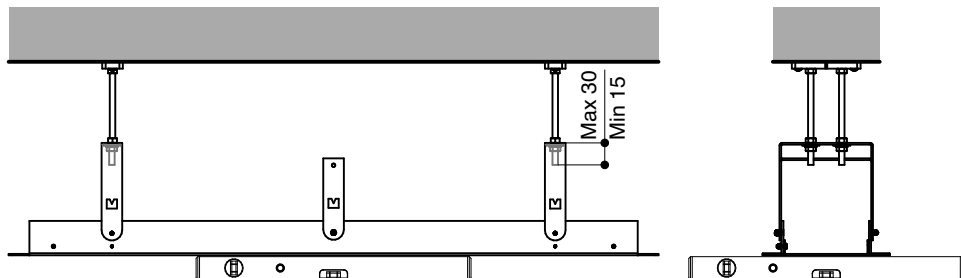
In order to fix the threaded rods (I) to the ceiling mounting plates (G), screw a bolt (H) for at least 20 mm. to the top part of the threaded rod.
 Screw the threaded rods in the ceiling mounting plates, making sure that the thread is inserted through all the depth of the plate (10 mm).
 Then, clamp the bolt tightly.



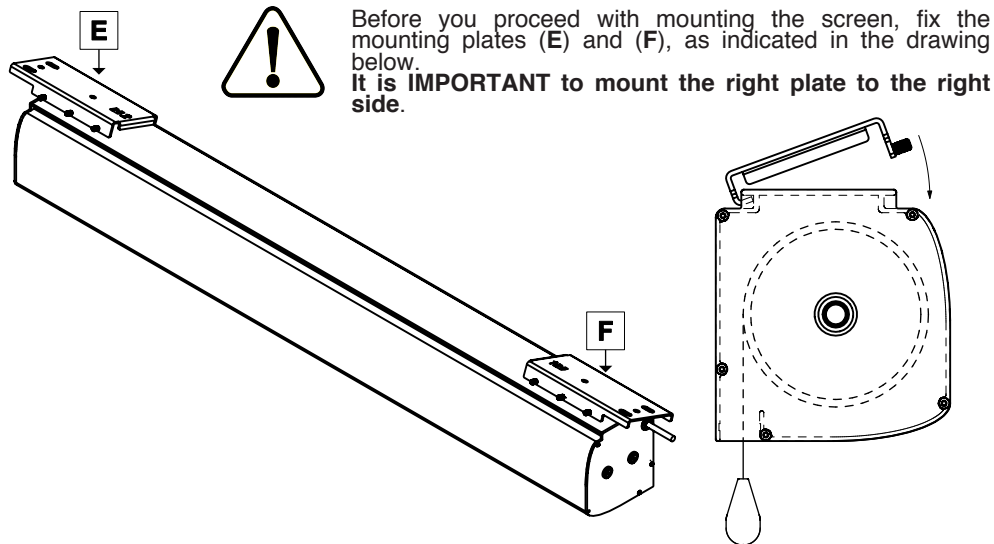
Take the preassembled FCK and lift it up inserting the threaded rods onto the structural "C" form supports (C) and screw the washers (K) and the flanged nuts (J).



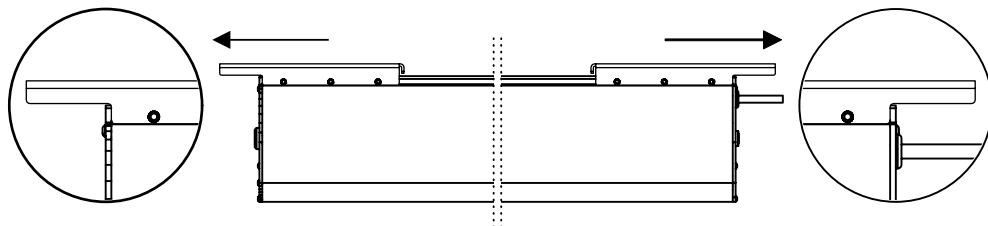
Check that the bottom part of the FCK is perfectly leveled. A non leveled installation of the FCK will cause bad functioning of the projection screen.



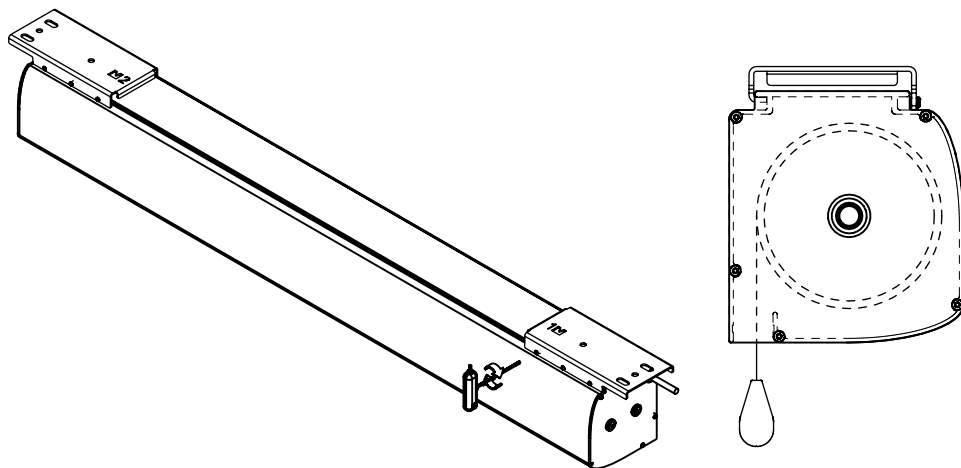
MOUNTING THE SCREEN ONTO THE FCK



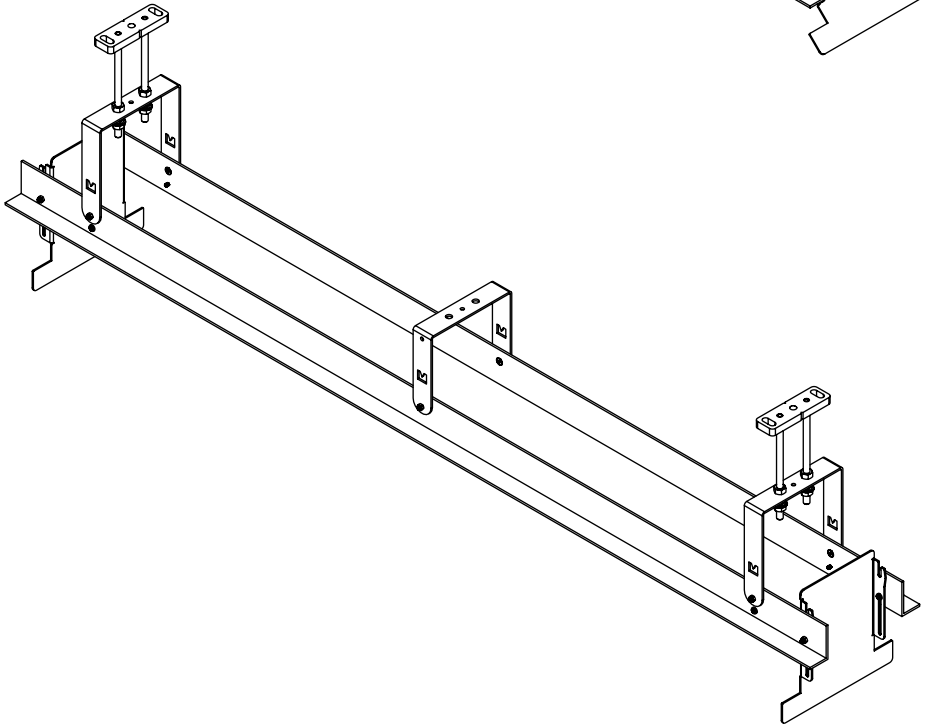
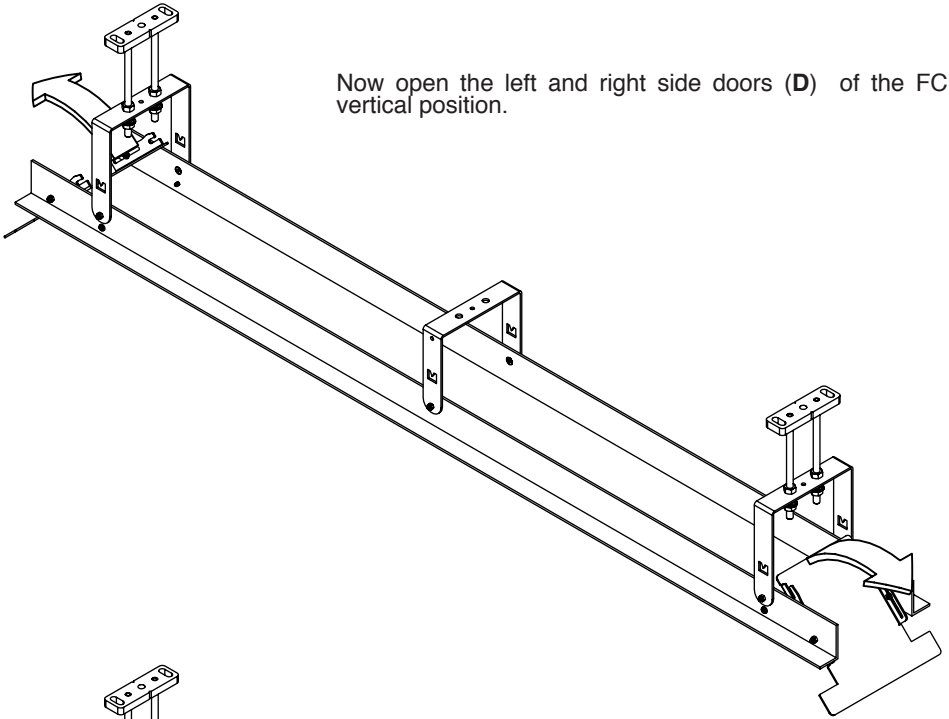
Before fixing the screws, check that the mounting plates (E) and (F) are positioned towards the end of the screen housing.



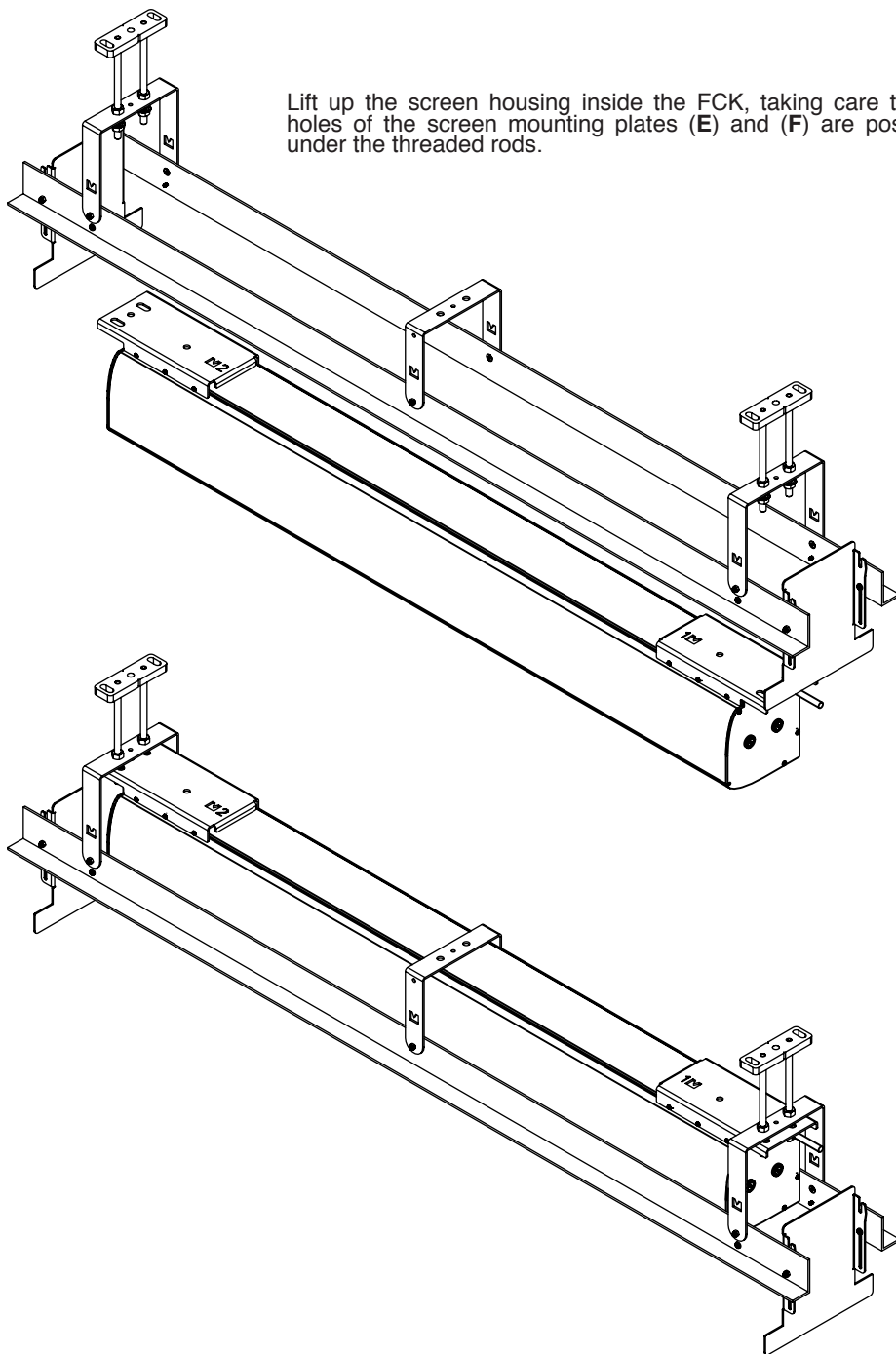
Now fix all the screws tightly and check that both mounting plates are firmly fixed to the screen housing.



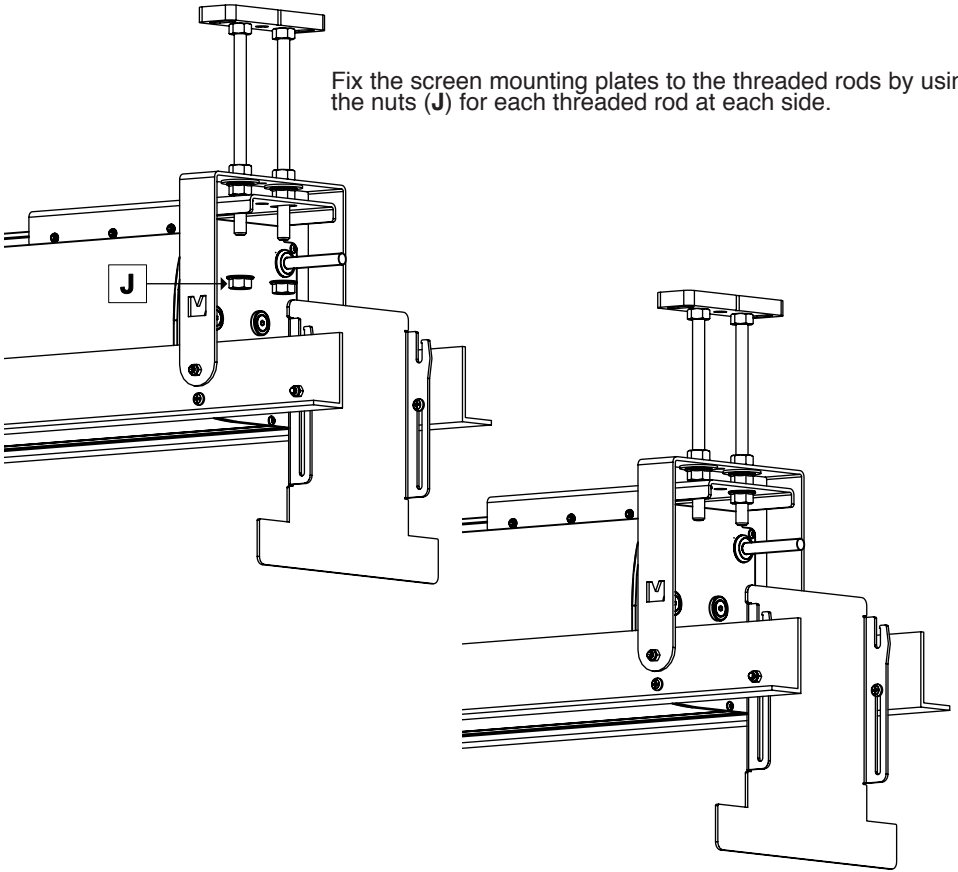
Now open the left and right side doors (D) of the FCK in vertical position.



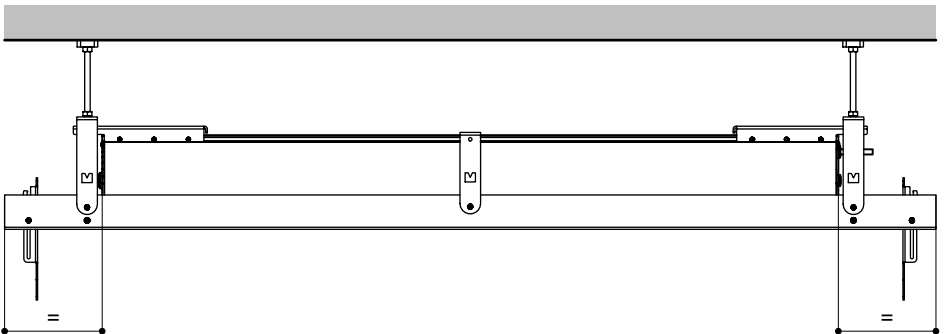
Lift up the screen housing inside the FCK, taking care that the holes of the screen mounting plates (E) and (F) are positioned under the threaded rods.



Fix the screen mounting plates to the threaded rods by using the nuts (J) for each threaded rod at each side.



Before tightening the nuts, please check that the housing is perfectly centered with the FCK. Now, tighten firmly the flanged nuts.



Now you can make the electrical connection of the screen motor and close the side doors.

