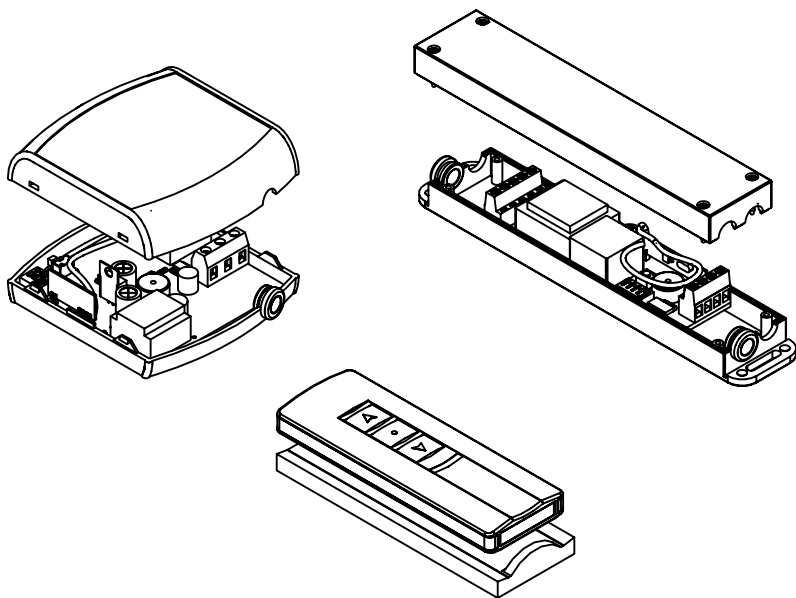


INSTALLATION MANUAL

RF POWER KIT 800W



ORIGINAL INSTRUCTIONS IN ITALIAN LANGUAGE

Translation into English language

1.0 GENERAL INFORMATION

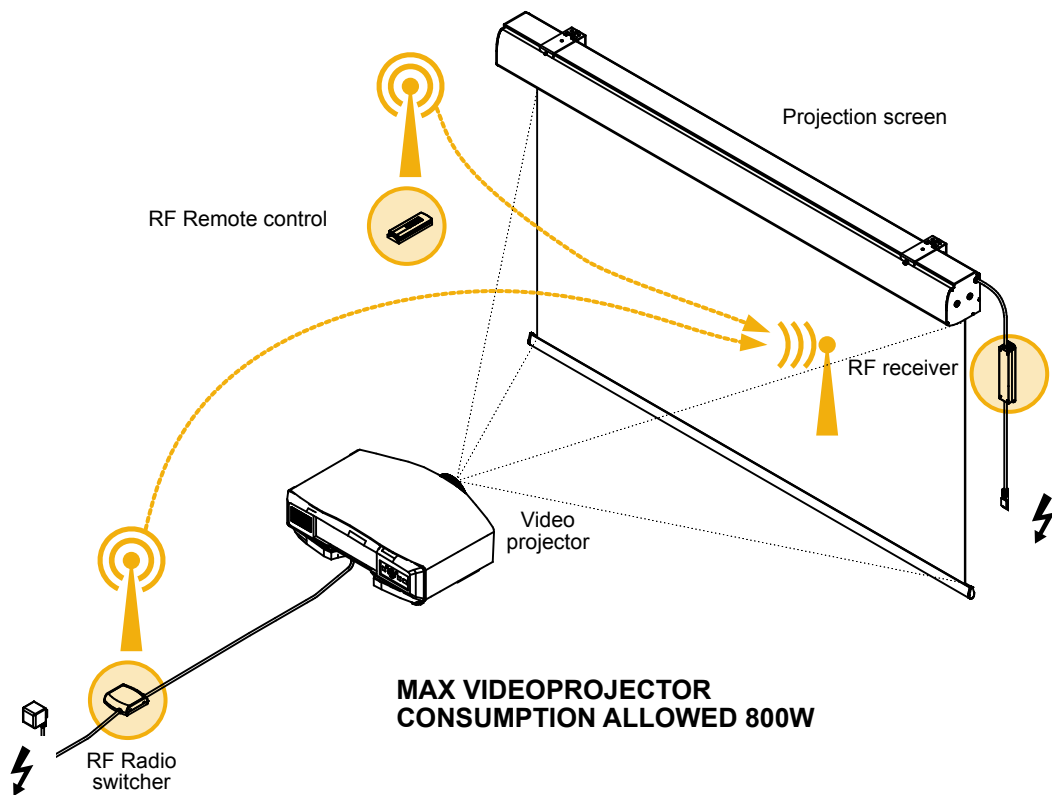
1.1 GENERAL DESCRIPTION

This accessory is used to operate the projection screen when switching on the videoprojector.

By switching on the videoprojector, the RF radio switcher sends an opening command to the projection screen.

The RF remote control allows to activate the projection screen anytime without the need of switching on the videoprojector.

Fig 1. - Example of application of RF Power Kit 800W.



1.2 SAFETY INSTRUCTIONS

WARNING:

CAREFULLY READ THE FOLLOWING SAFETY INSTRUCTIONS BEFORE STARTING THE INSTALLATION OF THIS ACCESSORY, IN ORDER TO PREVENT DAMAGE, ELECTRICAL SHOCK, INJURIES AND OTHER INCONVENIENCES.

- Before connecting the appliance, check that the power supply you are using has the same characteristics as the table "Technical data" in this manual.
- The installation must be carried out by competent and qualified technicians. The connection of the power supply for the projector must be carried out in compliance with current standards.
- These appliances are intended solely and exclusively for the purpose for which they were designed.
- The manufacturer cannot be held liable for damages caused by improper use or failure to observe the instructions.

Any operation requiring access to live parts and electrical components must be carried out only by qualified technicians and in any case the following minimum safety procedure must always be followed:

- 1) **SWITCH OFF THE ACCESSORY.**
- 2) **SWITCH OFF THE MAINS.**
- 3) **DISCONNECT THE ACCESSORY FROM THE SYSTEM.**
- 4) **CARRY OUT THE NECESSARY OPERATIONS.**

- **WARNING:** in the event of a fault or malfunction, disconnect the accessory from the master switch and contact a qualified technician. If you have any problems or uncertainties during installation or operation, please contact your dealer or the manufacturer.

IF, DURING INSTALLATION, THE CONTINUOUS OPENING OR CLOSING OF THE SCREEN SHOULD BLOCK THE MOTOR, THIS IS NOT DUE TO A FAILURE OF THE VARIOUS ELECTRONIC COMPONENTS OF THIS ACCESSORY, BUT IS DUE TO THE INTERVENTION OF THE THERMAL PROTECTION OF THE MOTOR. WAIT FOR THE MOTOR TO COOL DOWN AND TRY AGAIN.

1.3 WASTE DISPOSAL

All these products are an integral part of automation and therefore must be disposed of together with it. Like installation operations, even at the end of the life of these products, dismantling operations must be carried out by qualified personnel.



WARNING!

Parts of the product may contain pollutants or dangerous substances which, if dispersed in the environment, could cause harmful effects to the environment itself and to human health.

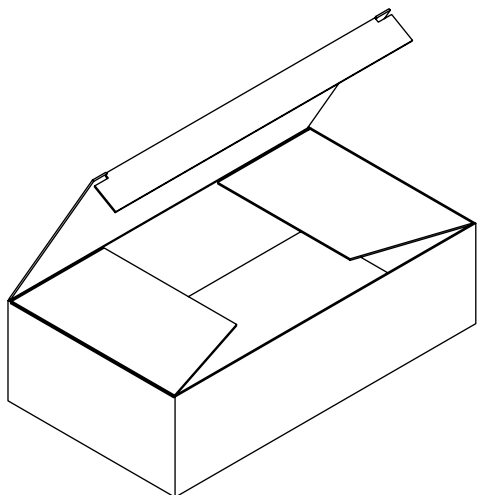


It is **FORBIDDEN** to throw these products in household waste. Carry out the separate collection for disposal, according to the methods provided for by the regulations in force in your territory or return the product to the seller when purchasing a new equivalent product.

WARNING: Local regulations may impose heavy penalties in case of improper disposal of these products.

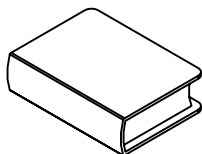
2.0 PACKAGING CONTENTS

2.1 DESCRIPTION OF PACKAGING CONTENTS



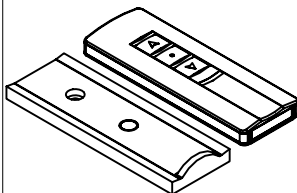
BEFORE STARTING THE INSTALLATION OF THE ACCESSORY, PLEASE CHECK THAT THE BOX CONTAINS ALL THE COMPONENTS BELOW LISTED.

IN CASE ONE OR MORE COMPONENTS ARE MISSING, PLEASE REFER TO THE DEALER YOU PURCHASED THE PRODUCT FROM AND DO NOT PROCEED WITH THE INSTALLATION.



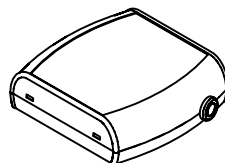
x1

Installation Manual



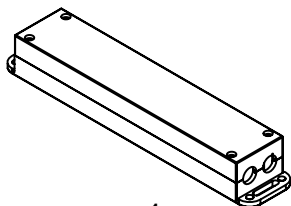
x1

RF remote control and
magnetic support
(771W)



x1

RF radio switcher
(08880864)



x1

RF Receiver
(08880870N)



x4

Power cable rubbers
for RF receiver



x4

Screws for
RF receiver box

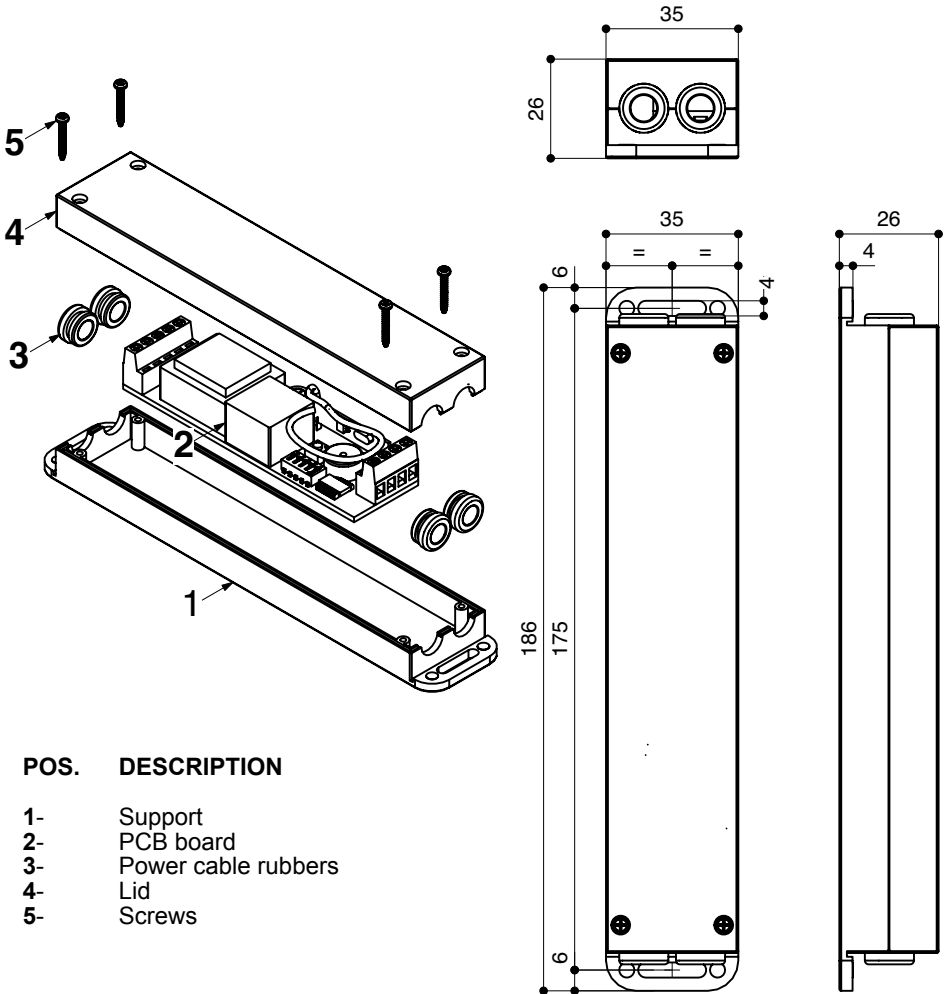
3.0 RF RECEIVER 08880870N

3.1 DESCRIPTION

The RF receiver 08880870N receives the command from the RF switcher and from the RF remote control in order to operate the projection screen.

This receiver has to be used in combination with the RF switcher 08880864 or with the RF remote control 771W.

The RF receiver is composed by a support, a PCB board and a box lid to be fixed to the support with n. 4 screws. Power cable rubbers are also supplied.

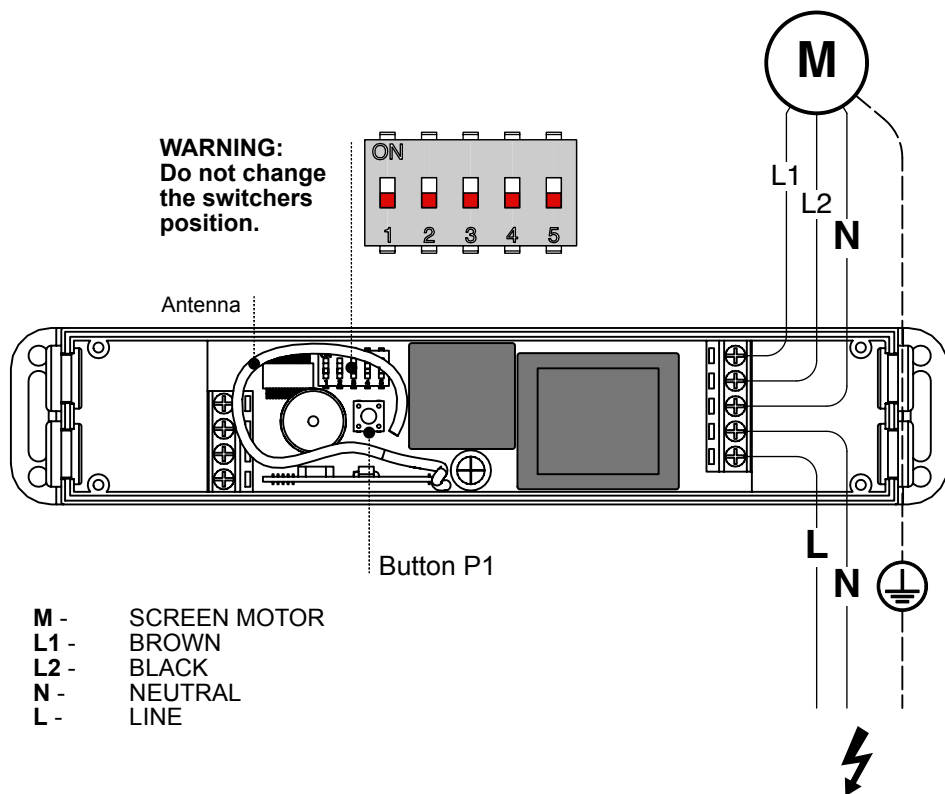


POS.	DESCRIPTION
1-	Support
2-	PCB board
3-	Power cable rubbers
4-	Lid
5-	Screws

Measures are expressed in mm.

3.2 ELECTRIC CONNECTION

The RF receiver 08880870N has to be connected to the projection screen following the drawing below:

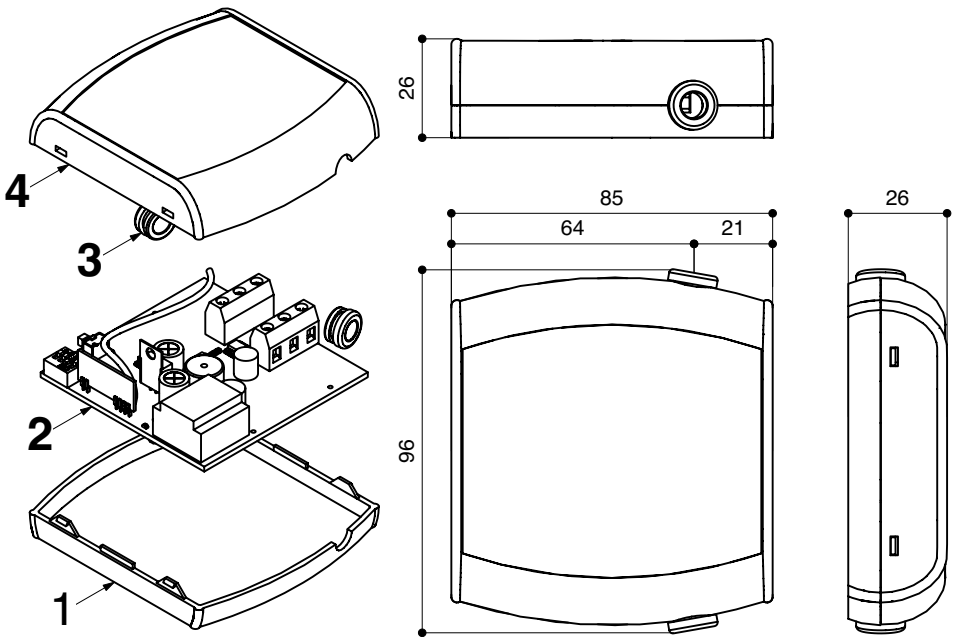


PARAMETERS	08880870N
Power	230 VAC / 50 Hz
Maximum output power	500 W
Operating Temperature	-20° / +70° C
Protection Fuse	PTC
Operating time cycle	120 sec.
RF Frequency	433,92 Mhz
IP protection	IP 55
Dimensions	186x35x26 mm

4.0 RF SWITCHER - 08880864

4.1 DESCRIPTION

The RF switcher 08880864 operates the projection screen when switching on the videoprojector. When switching on the videoprojector, the screen rolls down automatically, meanwhile when switching off the videoprojector, the screen rolls up. This is done by measuring the power consumption by the RF switcher. The RF switcher has a support, a PCB board and a box lid to be fixed to the support. Power cable rubbers are also supplied.

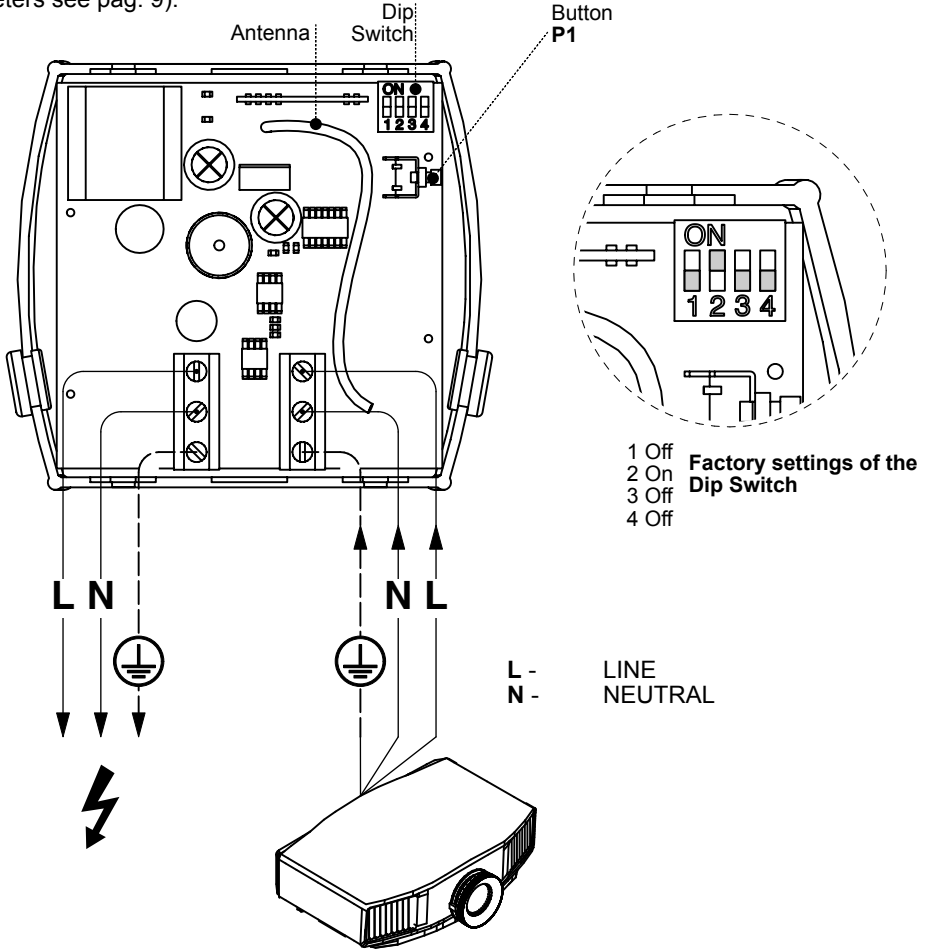


POS.	DESCRIPTION
1-	Support
2-	PCB board
3-	Power cable rubbers
4-	Lid

Measures are expressed in mm.

4.2 ELECTRIC CONNECTION

The RF switcher 08880864 operates by an RF signal and has to be connected between the mains and the videoprojector. When switching on the videoprojector, the power consumption will activate the RF switcher and this will send a command to the RF receiver to roll down the screen. When switching off the videoprojector, the power consumption will reach the minimum and the RF switcher will send a command to the RF receiver to roll up the screen. (For maximum and minimum parameters see pag. 9).



PARAMETERS	08880864
Power	230 VAC / 50 Hz
Operating Temperature	-10° / +70° C
RF Frequency	433,92 Mhz
IP protection	IP 4X
Dimensions	96x85x26 mm
Maximum allowed projector consumption	800 W



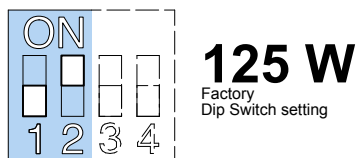
WARNING:

BEFORE CHANGING THE DIP SWITCH, SETTINGS, CHECK IN THE TECHNICAL SPECIFICATIONS OF THE VIDEOPROJECTOR THE DECLARED CONSUMPTION.

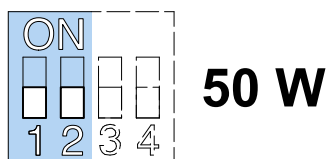
DO NOT CHANGE DIP SWITCH POSITIONS 3 AND 4**POSITIONS 1 and 2**

set the projection screen's
ROLL DOWN

When the projector power consumption **EXCEEDS** the power parameters below, the RF switcher will send a command to **ROLL DOWN** the projection screen.

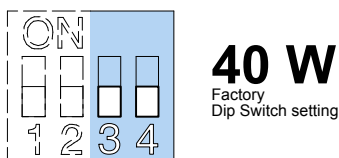


If the videoprojector power consumption is less than 125W set the DIP SWITCH 1 e 2 as indicated here under.

**POSITIONS 3 and 4**

set the projection screen's
ROLL UP

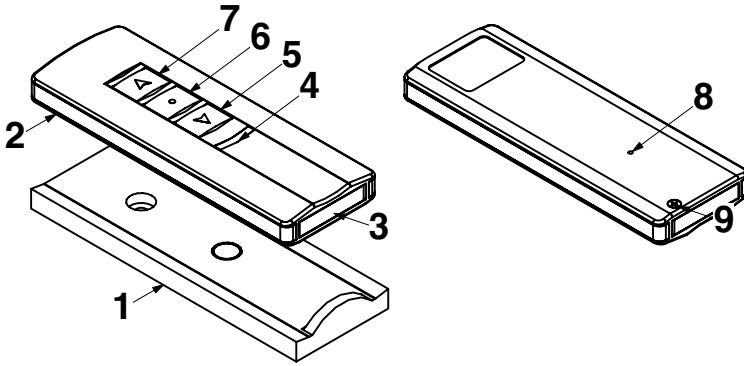
When the projector power consumption **IS LOWER** than the power parameter below, the RF switcher will send a command to **ROLL UP** the projection screen.



5.0 RF REMOTE CONTROL - 771W

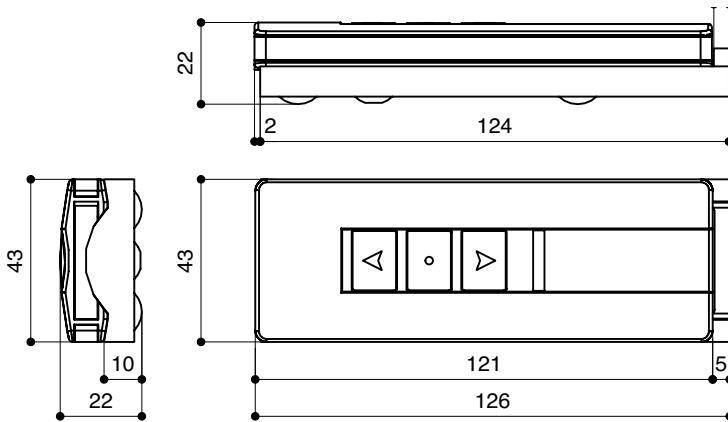
5.1 DESCRIPTION

Single channel handheld remote control operating frequency 433 MHz.



POS. DESCRIPTION

- 1- Support
- 2- Transmitter
- 3- Battery R2032 3V
- 4- Led light
- 5- Button DOWN
- 6- Button STOP
- 7- Button UP
- 8- Hidden Button
- 9- Screw to lock battery

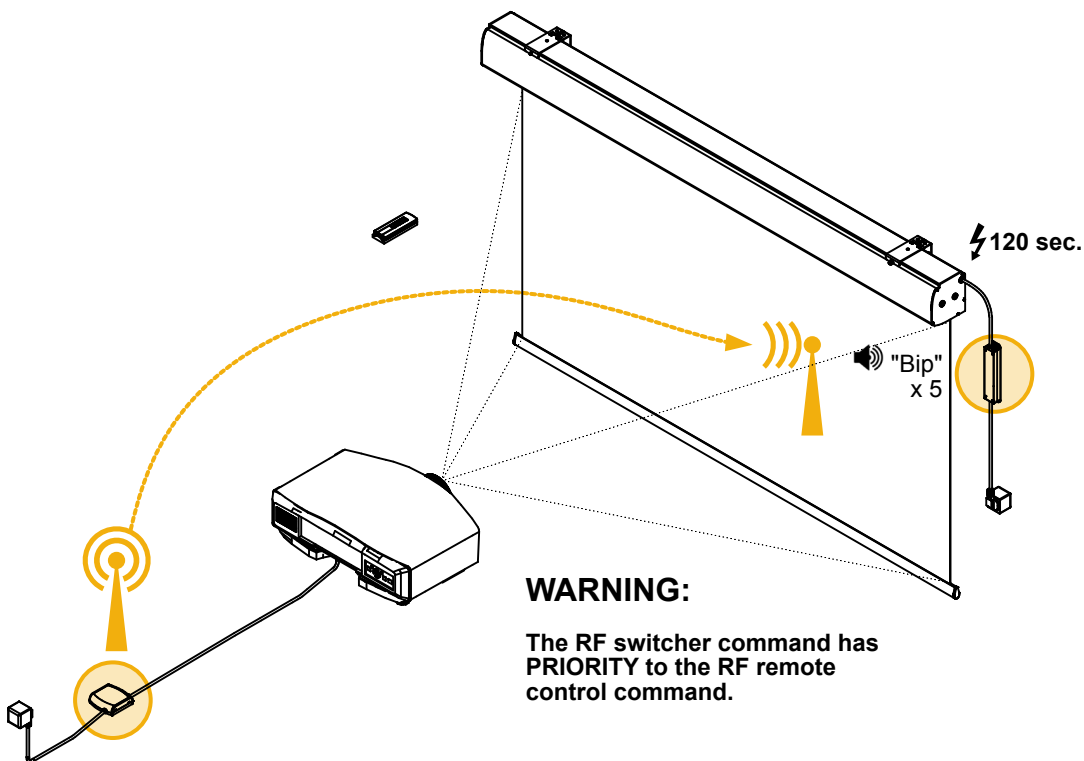


Measures are expressed in mm.

PARAMETERS	771W
Trasmission Frequency	433,92 Mhz
Power	3V (Batteria CR2032 al Litio)
Operating Temperature	-10° / +70° C
Transmission Standard	FSK
Consumption during transmission	10 mA
Apparent power	-3 / 1dBm
Apparent power of harmonic products	<54 dBm (<4nW)

6.0 USE OF THE RF POWER KIT

6.1 USE OF THE RF SWITCHER ONLY



The RF switcher 08880864 transmits command codes to the RF receiver for a duration of approx. 6 sec. and every command sent to the receiver, it emits an acoustic signal. When the receiver receives the command, it gives power to the screen's motor for approx. 120 sec.

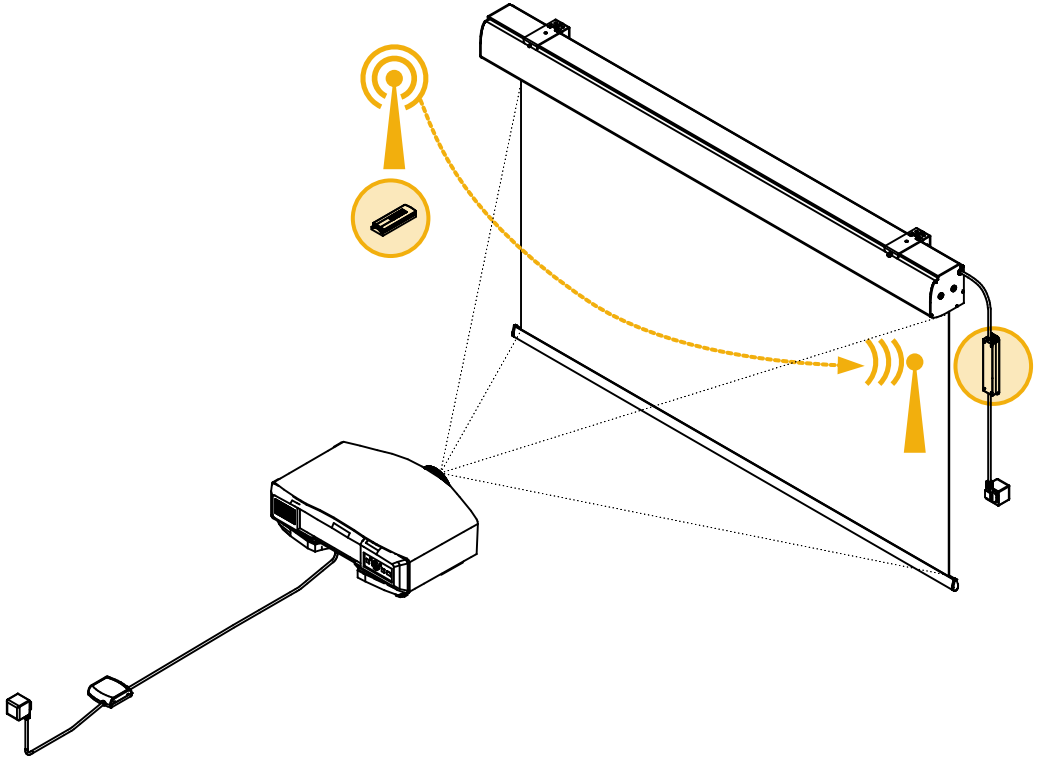
Example:

If the screen rolls down completely in 40 sec, after it reaches the bottom end stop, there will be power on the motor for other 80 sec.

In case of rolling up, the RF switcher gives the command and the receiver will give power to the motor for other 120 sec.

6.2 USE OF THE RF REMOTE CONTROL ONLY

It is possible anytime, to switch on and to switch off the projection screen even though the videoprojector is switched off, as the RF receiver takes the command both from the RF switcher and from the RF remote control.

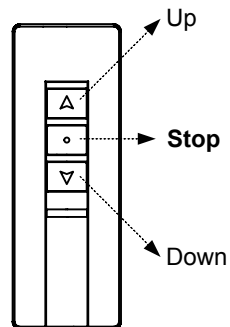


WARNING:

The RF switcher command has PRIORITY to the RF remote control command.

Should you need to leave the screen open, after switching off the videoprojector, the procedure is the following:

- When you switch off the videoprojector, the RF switcher for approx 6 sec., will give a command to roll up to the screen.
- Press button "Stop" on the RF remote control to stop the rolling up of the screen.
- In order to roll down the screen again, press the button "Down" on the RF remote control.
- Once finished to use the screen, press the button "Up" on the RF remote control to roll it up.



7.0 DECLARATION OF CONFORMITY

With a view to the continuous development of its products, the manufacturer reserves the right to make changes to technical datas and performances without obligation of notice.

7.1 RF SWITCHER - 08880864

S.G Elettronica Srl declares that the article: **08880864** is conform to the norms related to the Directive R&TTE 1999/5/EC.

Directives applied are the following:

- Directive 89/336/CEE
- EN 300220-1
- EN 300683
- EN 60950

7.2 RF RECEIVER 08880870N

S.G Elettronica Srl declares that the article: **08880870N** is conform to the norms related to the Directives 89/336/EEC, 92/31/EEC, 93/68/EEC.

Directives applied are the following:

- EN 60335-1
- EN 60204-1
- EN 55014
- EN 6100-3-2
- EN 6100-3-3
- EN 6100-4-2
- EN 6100-4-4
- ENV 50140
- EN 50081-1
- EN 50082-1

7.3 RF REMOTE CONTROL 771W

S.G Elettronica Srl declares that the article: **771W** is conform to the norms related to the Directive R&TTE 1999/5/EC.

Directives applied are the following:

- Directive 89/336/CEE
- EN 300220-1
- EN 300683
- EN 60950